

## Cell Culture Plates

### I. APPLICATIONS

- 1.Used to handle multiple culture samples in a single experiment.

### II. FEATURES

- 1.Constructed of prime virgin polystyrene
- 2.Individually packaged
- 3.Non-pyrogenic
- 4.Non-cytotoxic
- 5.DNase, RNase,and human DNA free
- 6.Surface Treatment
- 7.Sterile

### III. DESIGN

- 1.Plate cover design minimizes the risk of cross contamination.
- 2.Thin-walled well bottoms increase thermal consistency, reducing the edge effect.
- 3.Flat well bottoms provide excellent clarity for microscopic examination of samples.

### IV. PACKAGING

- 1.Bulk, 1 Piece/bag, 50 Bags/case

### V. DESCRIPTION

Item	Description	Culture Area (cm <sup>2</sup> )	Working Volume(ml)	Packaging
07-6006	Cell Culture Plate	9.60	3.00	1 Piece/bag, 50 Bags/case
07-6012	Cell Culture Plate	3.80	2.00	1 Piece/bag, 50 Bags/case
07-6024	Cell Culture Plate	1.90	1.00	1 Piece/bag, 50 Bags/case
07-6048	Cell Culture Plate	0.75	0.50	1 Piece/bag, 50 Bags/case
07-6096	Cell Culture Plate	0.33	0.20	1 Piece/bag, 50 Bags/case

### VI. STERILITY

1. Sterile

### VII. CERTIFICATION

Biologix products are manufactured completely according to the TUV ISO 9001:2008 standard.

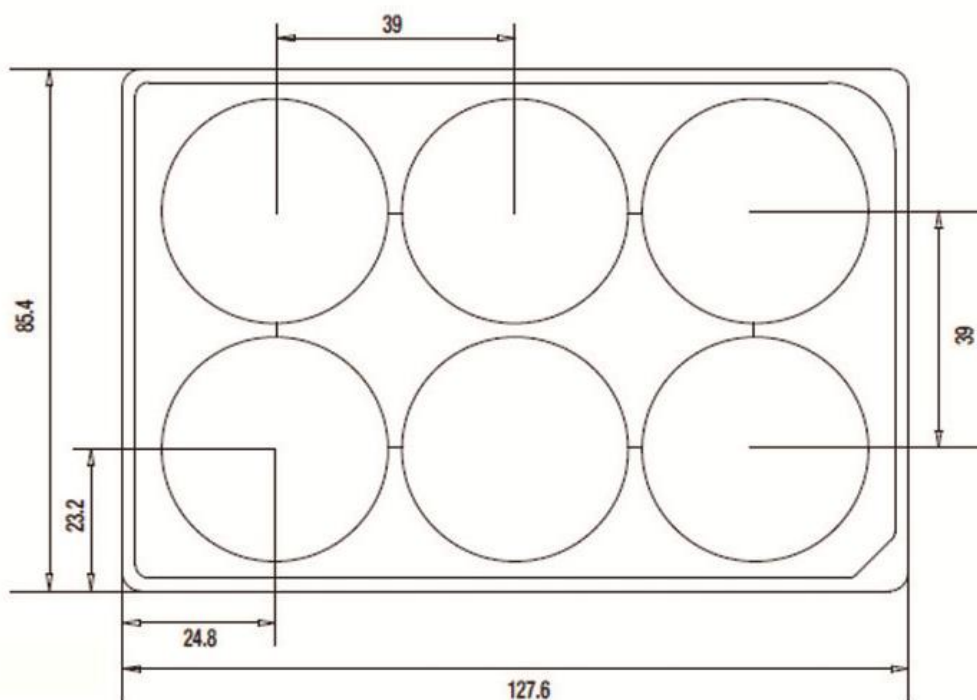
**VIII. RESTRICTIONS**

Refer to the Chemical Resistance Chart in our catalog, and available within our online catalog

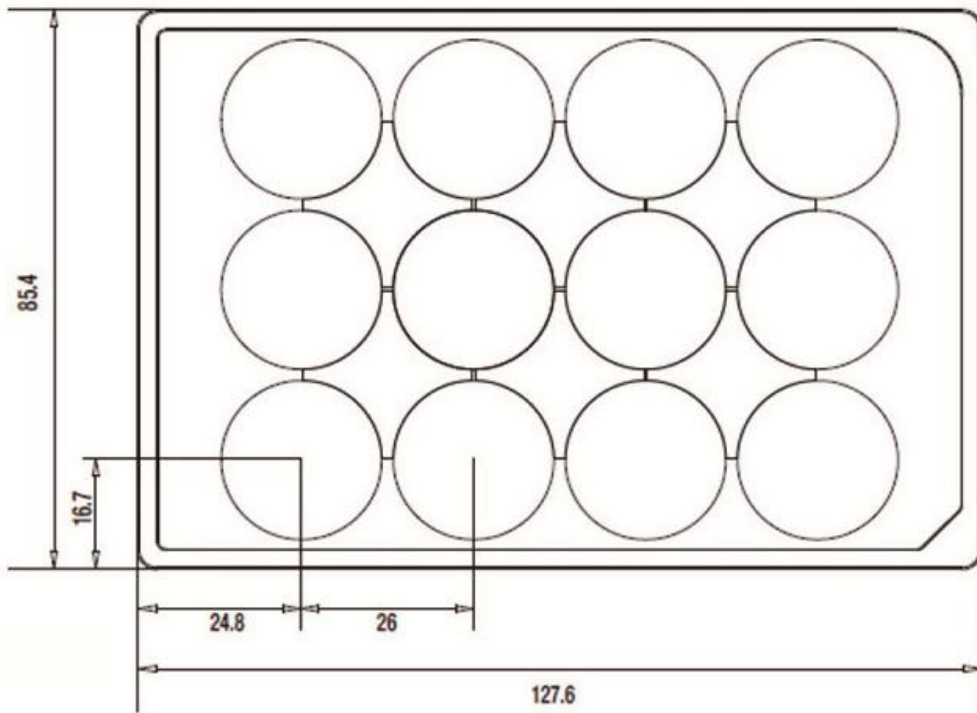
**IX. PRODUCT PARAMETER**

Dimensions=mm

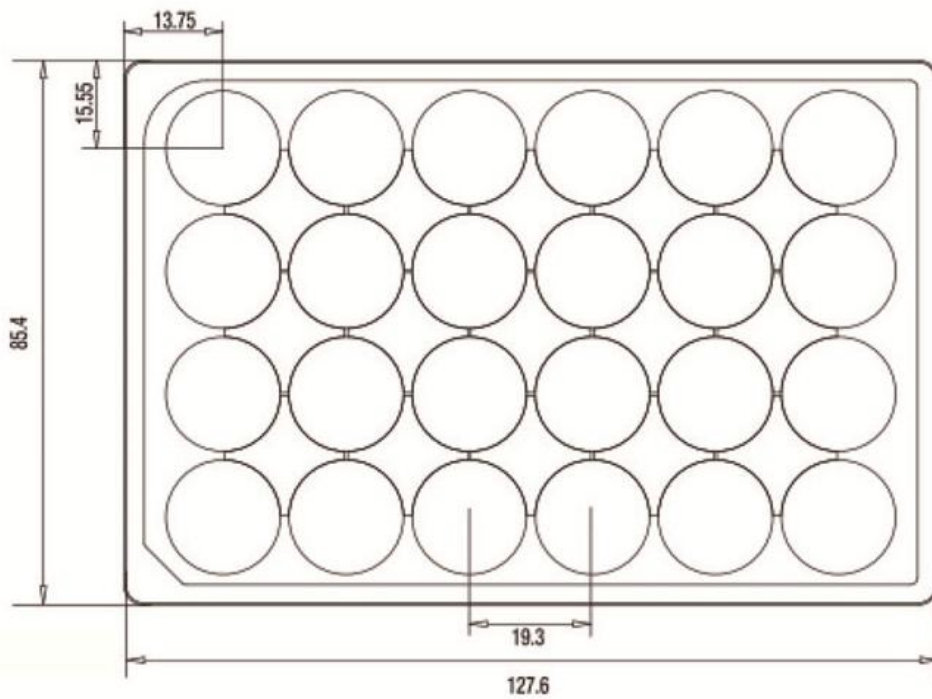
Cat #	Description	Well	External Dimensions w×l×h(mm)	Well Dimensions d×h(mm)
<b>07-6006</b>	Cell Culture Plate	6-well	85.40×127.60×20.20	35.00×17.50
<b>07-6012</b>	Cell Culture Plate	12-well	85.40×127.60×20.20	21.90×17.50
<b>07-6024</b>	Cell Culture Plate	24-well	85.40×127.60×20.20	15.50×17.50
<b>07-6048</b>	Cell Culture Plate	48-well	85.40×127.60×20.20	9.75×17.50
<b>07-6096</b>	Cell Culture Plate	96-well	85.40×127.60×14.40	6.50×10.80



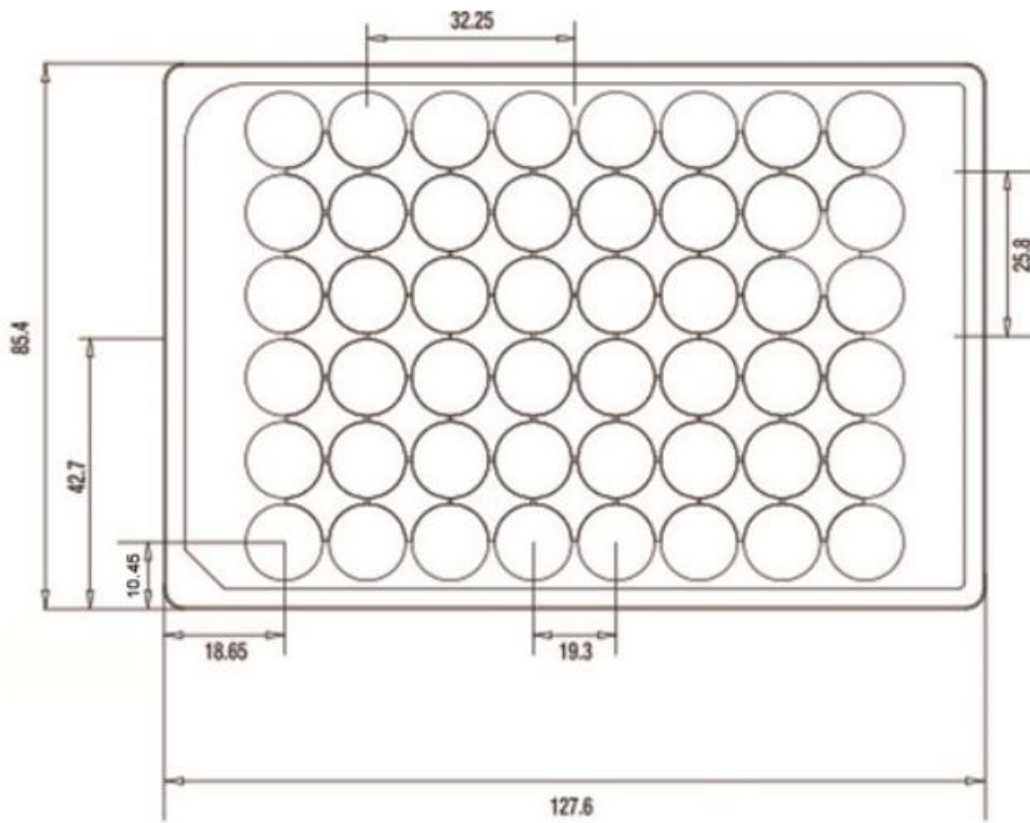
**07-6006**



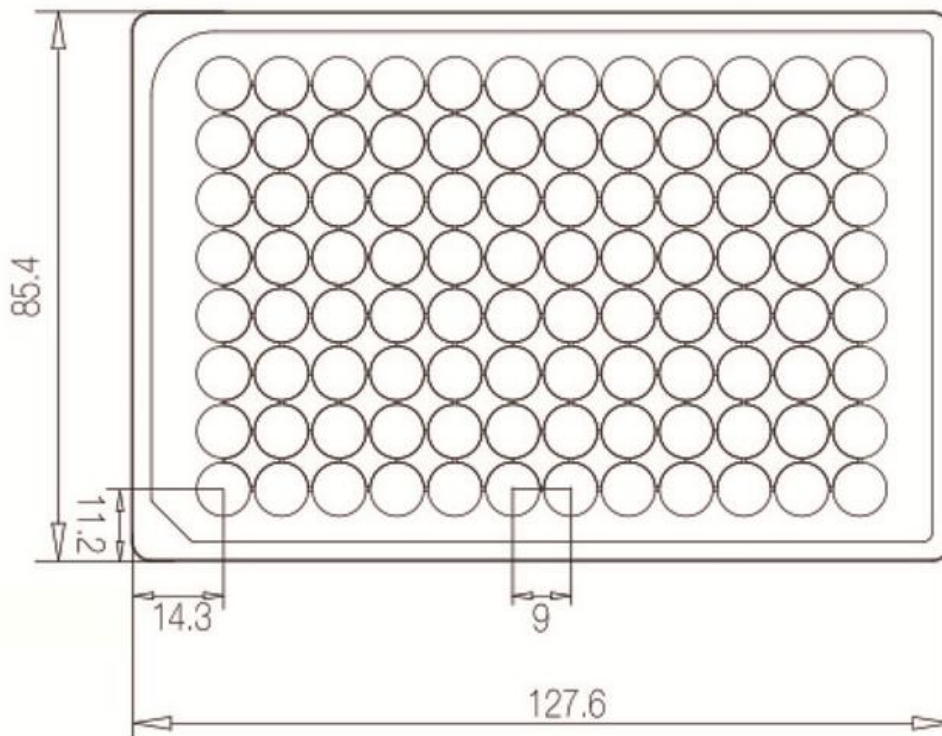
**07-6012**



**07-6024**



**07-6048**



**07-6096**